

Fax Option Type 1232  
G3 Interface unit Type 1232  
ISDN Option Type 1232  
Fax Function Unit Type 185  
(B502/B503/B504/A892)

**Fax Option Type 1232  
G3 Interface unit Type 1232  
ISDN Option Type 1232  
Fax Function Unit Type 185  
(B502/B503/B504/A892)**

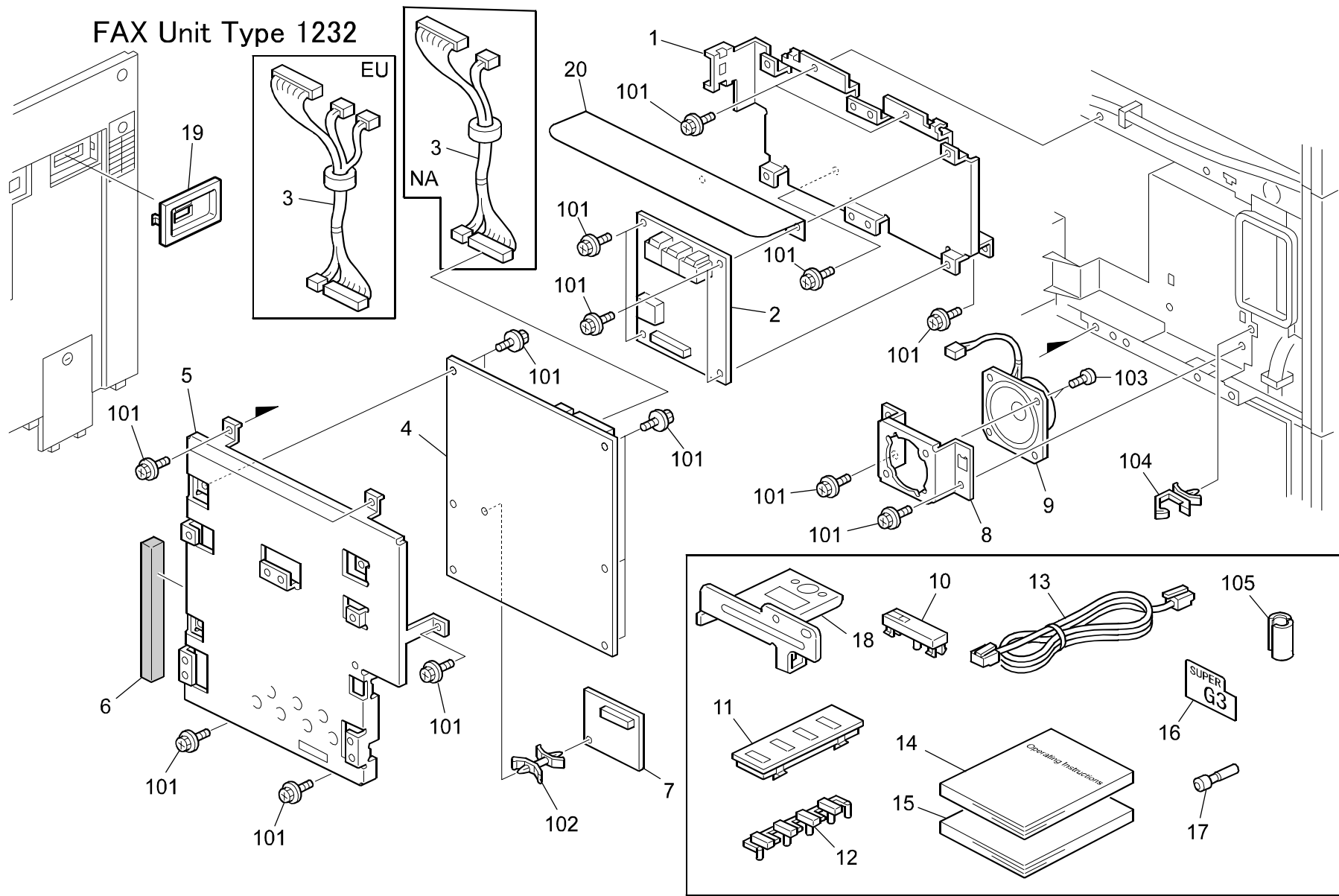
**PARTS CATALOG**

This catalog gives the numbers and names of parts on this machine.

|                                     |           |
|-------------------------------------|-----------|
| 1.FAX UNIT (B502) .....             | 2         |
| 2.G3/ISDN UNIT (B503/B504).....     | 4         |
| 3.FAX FUNCTION UPGRADE (A892) ..... | 6         |
| 4.FCU BOARD (B502).....             | 8         |
| 5.NCU BOARD NA (B502) .....         | 14        |
| 6.NCU BOARD EU (B502) .....         | 16        |
| 7.NCU BOARD NA (B503) .....         | 18        |
| 8.NCU BOARD EU (B503) .....         | 20        |
| <b>PARTS INDEX.....</b>             | <b>23</b> |

**July ,25 ' 2002**

# 1.FAX UNIT (B502)



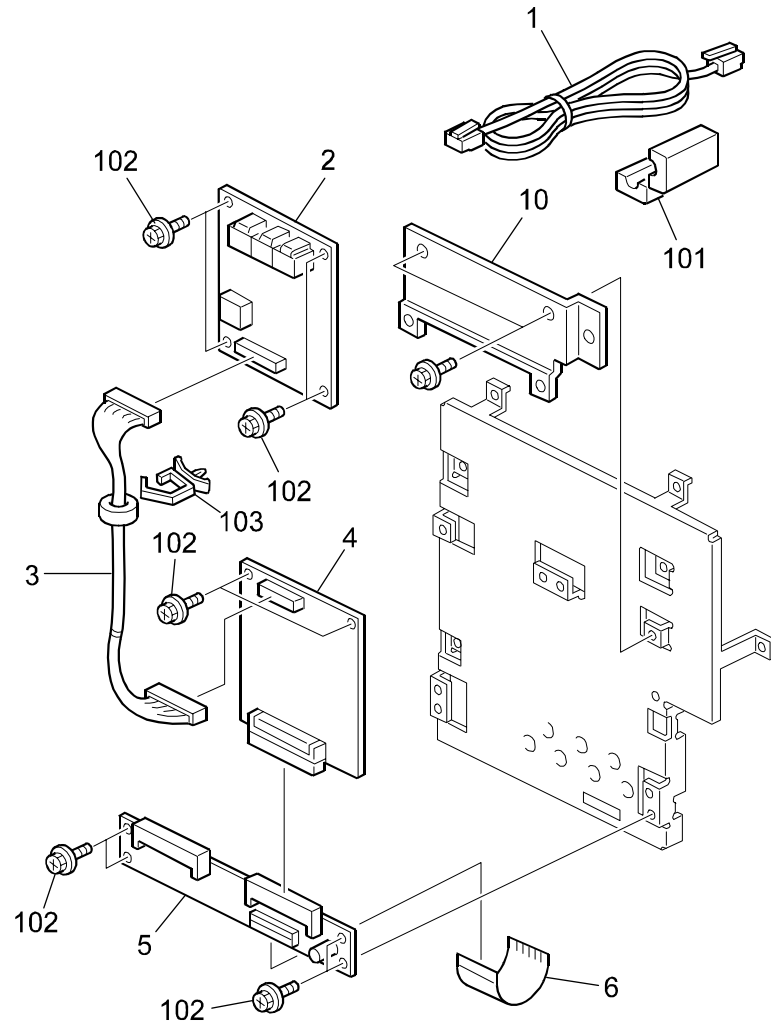
## 1.FAX UNIT (B502)

| Index No. | Part No.  | Description                           | Q'ty Per Assembly |
|-----------|-----------|---------------------------------------|-------------------|
| 1         | B051 5857 | NCU Bracket                           | 1                 |
| 2         | 5488 6122 | NCU Board - 115V                      | 1                 |
| 2         | B418 5195 | NCU - NE2A Board (230V)               | 1                 |
| 2         | B418 5197 | NCU Board - Taiwan                    | 1                 |
| 3         | B057 5270 | FCU-NCUSP Harness - 120V              | 1                 |
| 3         | B502 5271 | FCU-NCUSP Harness - 230V TWN          | 1                 |
| 4         | B502 5172 | FCU Board - 120V                      | 1                 |
| 4         | B502 5173 | FCU Board - 230V TWN                  | 1                 |
| 5         | B051 5870 | Fax Control Unit Bracket              | 1                 |
| 6         | B051 5875 | Gasket - Fax Control Unit             | 1                 |
| 7         | B502 5181 | MBU Board - 120V                      | 1                 |
| 7         | B502 5182 | MBU Board - 230V TWN                  | 1                 |
| 8         | B051 5858 | Speaker Bracket                       | 1                 |
| 9         | G025 1211 | Speaker - GS                          | 1                 |
| 10        | G570 2065 | Keytop SW - Fax (Letter)              | 1                 |
| 10        | G570 2075 | Keytop SW - Fax (Symbol)              | 1                 |
| 11        | G570 2069 | Keytop Cover - Right                  | 1                 |
| 11        | B502 7180 | Right Cover keytop - TAIWAN           | 1                 |
| 12        | G570 1970 | Keytop - Right                        | 1                 |
| 13        | H523 5350 | Telephone Cable                       | 1                 |
| 14        | B502 8607 | Operating Instructions - LT English 1 | 1                 |
| 14        | B502 8608 | Operating Instructions - Asia Engli 1 | 1                 |
| 14        | B502 8609 | Operating Instructions - Taiwanese 1  | 1                 |
| 15        | B502 8657 | Operating Instructions - LT English 2 | 1                 |
| 15        | B502 8658 | Operating Instructions - Asia Engli 2 | 1                 |
| 15        | B502 8659 | Operating Instructions - Taiwanese 2  | 1                 |
| 16        | B404 3861 | SG3 Decal                             | 1                 |
| 17        | H511 5007 | Stamp                                 | 1                 |
| 18        | B404 5821 | Handset Bracket (USA Only)            | 1                 |
| 19        | B502 1350 | Line & Tel Cap                        | 1                 |
| 20        | B502 5800 | NCU Insulating Sheet (EU & ASIA)      | 1                 |

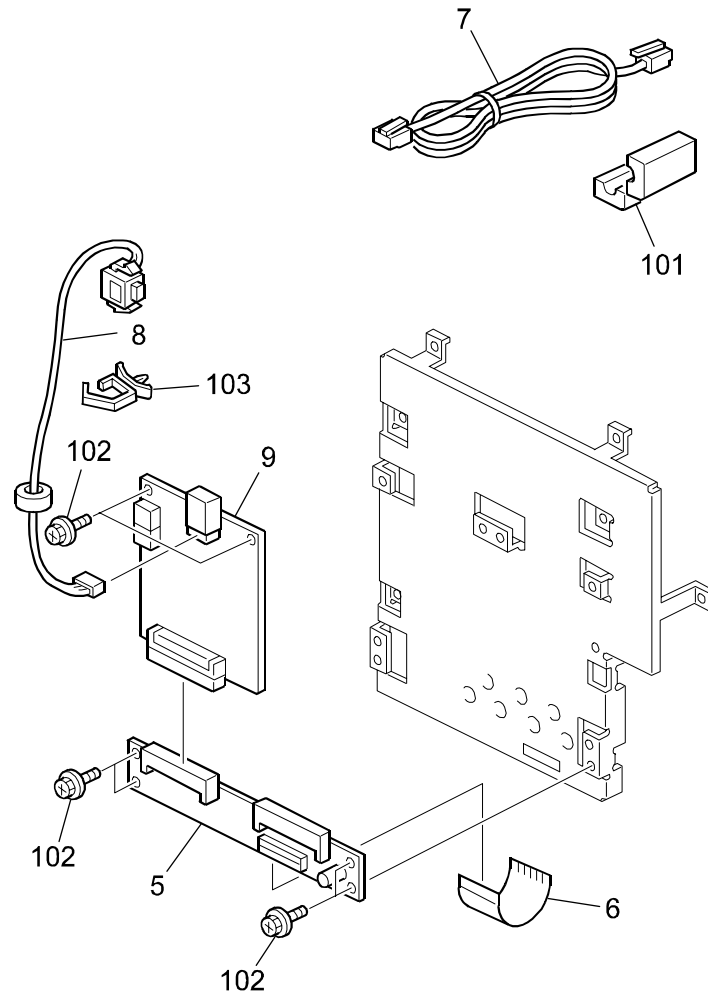
| Index No. | Part No.   | Description                     | Q'ty Per Assembly |
|-----------|------------|---------------------------------|-------------------|
| 101       | 0451 3006B | Tapping Screw - M3x6            |                   |
| 102       | 1105 0441  | Spacer - 8mm                    |                   |
| 103       | 0453 3006B | Tapping Screw - M3x6            |                   |
| 104       | 1105 0487  | Harness Clamp                   |                   |
| 105       | 1607 0576  | Sleeve Core - SFC-8 (EU & ASIA) |                   |

## 2.G3/ISDN UNIT (B503/B504)

### G3 Unit Type 1232



### ISDN Unit Type 1232



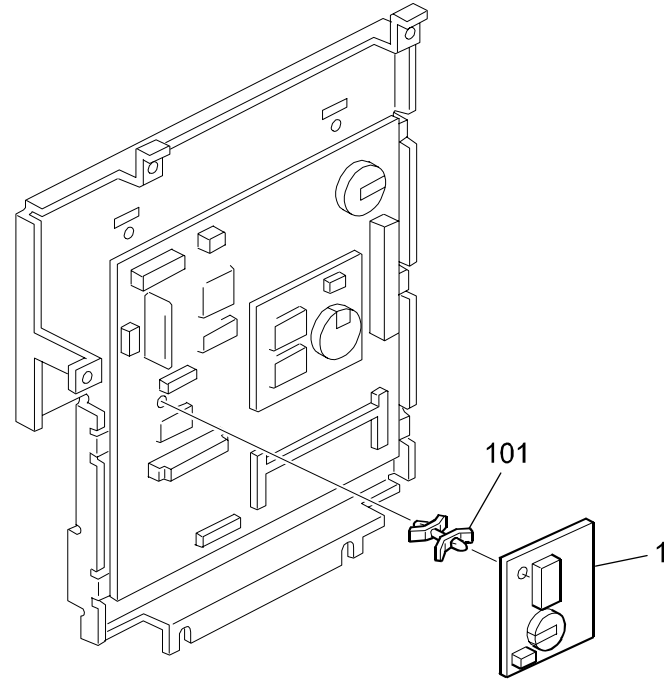
## 2.G3/ISDN UNIT (B503/B504)

| Index No. | Part No.  | Description                      | Q'ty Per Assembly |
|-----------|-----------|----------------------------------|-------------------|
| 1         | H523 5350 | Telephone Cable                  | 1                 |
| 2         | 5488 6222 | NCU-FD-U2 Board – 120V           | 1                 |
| 2         | 5488 6292 | NCU-FD-EA2T Board - 230V TWN     | 1                 |
| 3         | B503 5275 | EXNCU-FD Harness                 | 1                 |
| 4         | H310 6185 | SG3-D Board                      | 1                 |
| 5         | B503 5165 | CCU Interface Board              | 1                 |
| 6         | B503 5272 | FCU-CCU IF Harness               | 1                 |
| 7         | H309 5200 | Moduler Cord ISDN Ass'y          | 1                 |
| 8         | B504 5275 | G4 Connecting Harness - 120V     | 1                 |
| 8         | B504 5276 | G4 Connecting Harness - 230V TWN | 1                 |
| 9         | H547 6185 | SIG4 Board - 120V                | 1                 |
| 9         | H547 6175 | SIG4 Board - 230V                | 1                 |
| 10        | B503 5500 | G3 Bracket                       | 1                 |

| Index No. | Part No.   | Description          | Q'ty Per Assembly |
|-----------|------------|----------------------|-------------------|
| 101       | 1607 0576  | Sleeve Core - SFC-8  |                   |
| 102       | 0451 3006B | Tapping Screw - M3x6 |                   |
| 103       | 1105 0487  | Harness Clamp        |                   |

### 3.FAX FUNCTION UPGRADE (A892)

Fax Function Update Type 185



### 3.FAX FUNCTION UPGRADE (A892)

| Index No. | Part No.  | Description      | Q'ty Per Assembly |
|-----------|-----------|------------------|-------------------|
| 1         | A285 5170 | PCB - EXFN Ass'y | 1                 |

| Index No. | Part No.  | Description  | Q'ty Per Assembly |
|-----------|-----------|--------------|-------------------|
| 101       | 1105 0441 | Spacer - 8mm |                   |



## 4.FCU BOARD (B502)

### BAT

| SYMBOL NO. | INDEX NO. |
|------------|-----------|
| BAT1       | 112       |

### CAPACITOR

| SYMBOL NO. | INDEX NO. |
|------------|-----------|
| C1         | 212       |
| C2         | 148       |
| C3         | 212       |
| C4         | 148       |
| C5         | 148       |
| C6         | 212       |
| C7         | 212       |
| C8         | 199       |
| C9         | 197       |
| C10        | 199       |

| SYMBOL NO. | INDEX NO. |
|------------|-----------|
| C11        | 144       |
| C12        | 212       |
| C13        | 203       |
| C14        | 212       |
| C15        | 204       |
| C16        | 143       |
| C17        | 197       |
| C18        | 212       |
| C19        | 212       |
| C20        | 212       |

| SYMBOL NO. | INDEX NO. |
|------------|-----------|
| C21        | 197       |
| C22        | 197       |
| C23        | 212       |
| ---        | ---       |
| ---        | ---       |
| ---        | ---       |
| C29        | 212       |
| C30        | 212       |

| SYMBOL NO. | INDEX NO. |
|------------|-----------|
| C32        | 212       |
| C33        | 212       |
| C34        | 212       |
| C34        | 207       |
| C36        | 212       |
| C37        | 209       |
| C38        | 197       |
| C39        | 212       |
| C40        | 212       |

| SYMBOL NO. | INDEX NO. |
|------------|-----------|
| C41        | 212       |
| C42        | 201       |
| C43        | 201       |
| C44        | 201       |
| C45        | 207       |
| C46        | 212       |
| C47        | 202       |
| C48        | 140       |
| ---        | ---       |
| ---        | ---       |

| SYMBOL NO. | INDEX NO. |
|------------|-----------|
| C51        | 211       |
| C52        | 212       |
| C53        | 211       |
| C54        | 146       |
| C55        | 151       |
| C56        | 201       |
| C57        | 201       |
| C58        | 212       |
| C59        | 212       |
| C60        | 198       |

### CAPACITOR

| SYMBOL NO. | INDEX NO. |
|------------|-----------|
| C61        | 145       |
| C62        | 141       |
| C63        | 212       |
| C64        | 212       |
| C65        | 212       |
| C66        | 212       |
| ---        | ---       |
| C68        | 212       |
| C69        | 212       |
| C70        | 212       |

| SYMBOL NO. | INDEX NO. |
|------------|-----------|
| C71        | 202       |
| C72        | 151       |
| C73        | 212       |
| C74        | 142       |
| C75        | 212       |
| C76        | 142       |
| C77        | 212       |
| C78        | 212       |
| C79        | 212       |
| C80        | 212       |

| SYMBOL NO. | INDEX NO. |
|------------|-----------|
| C81        | 211       |
| C82        | 212       |
| C83        | 212       |
| C84        | 212       |
| C85        | 212       |
| C86        | 207       |
| C87        | 207       |
| C88        | 211       |
| C89        | 211       |
| C90        | 211       |

| SYMBOL NO. | INDEX NO. |
|------------|-----------|
| C91        | 211       |
| C92        | 212       |
| C93        | 212       |
| C94        | 211       |
| C95        | 212       |
| C96        | 212       |
| C97        | 207       |
| C98        | 207       |
| C99        | 207       |
| C100       | 212       |

| SYMBOL NO. | INDEX NO. |
|------------|-----------|
| C101       | 212       |
| C102       | 212       |
| C103       | 208       |
| ---        | ---       |
| C105       | 212       |
| C106       | 212       |
| C107       | 147       |
| C108       | 212       |
| C109       | 147       |
| C110       | 209       |

| SYMBOL NO. | INDEX NO. |
|------------|-----------|
| C111       | 147       |
| C112       | 212       |
| C113       | 212       |
| C114       | 212       |
| C115       | 212       |
| C116       | 207       |
| C117       | 207       |
| C118       | 207       |
| C119       | 212       |
| C120       | 207       |

| SYMBOL NO. | INDEX NO. |
|------------|-----------|
| C121       | 202       |
| C122       | 212       |
| C123       | 202       |
| C124       | 202       |
| C125       | 212       |
| C126       | 212       |
| C127       | 205       |
| C128       | 212       |
| C129       | 211       |
| C130       | 212       |

## 4.FCU BOARD (B502)

### CAPACITOR

| SYMBOL NO. | INDEX NO. |
|------------|-----------|
| C131       | 212       |
| C132       | 212       |
| C133       | 212       |
| C134       | 212       |
| C135       | 212       |
| ---        | ---       |
| C136       | 210       |
| C137       | 212       |
| C138       | 212       |
| C139       | 212       |
| ---        | ---       |

| SYMBOL NO. | INDEX NO. |
|------------|-----------|
| C141       | 212       |
| ---        | ---       |
| ---        | ---       |
| C144       | 212       |
| C145       | 211       |
| ---        | ---       |
| C146       | 202       |
| C147       | 202       |
| C148       | 202       |
| C149       | 202       |
| C150       | 202       |

| SYMBOL NO. | INDEX NO. |
|------------|-----------|
| C151       | 202       |
| C152       | 202       |
| C153       | 212       |
| C154       | 212       |
| C155       | 212       |
| ---        | ---       |
| C156       | 149       |
| C157       | 212       |
| ---        | ---       |
| ---        | ---       |
| C160       | 212       |

| SYMBOL NO. | INDEX NO. |
|------------|-----------|
| C161       | 207       |
| ---        | ---       |
| C161       | 211       |
| ---        | ---       |
| C163       | 211       |
| C164       | 211       |
| C165       | 211       |
| C166       | 206       |
| C167       | 206       |
| C168       | 211       |
| C169       | 211       |

| SYMBOL NO. | INDEX NO. |
|------------|-----------|
| C171       | 211       |
| C172       | 152       |
| C172       | 150       |
| C173       | 207       |
| C174       | 211       |
| C175       | 207       |
| ---        | ---       |
| ---        | ---       |
| C176       | 212       |
| C177       | 211       |
| ---        | ---       |
| ---        | ---       |

### CONNECTOR

| SYMBOL NO. | INDEX NO. |
|------------|-----------|
| CN600      | 107       |
| CN601      | 106       |
| CN602      | 110       |
| CN603      | 105       |
| ---        | ---       |
| ---        | ---       |
| CN610      | 102       |
| CN611      | 101       |
| CN612      | 109       |

| SYMBOL NO. | INDEX NO. |
|------------|-----------|
| CN612      | 104       |
| ---        | ---       |
| ---        | ---       |
| CN615      | 103       |
| CN622      | 108       |

### DIODE

| SYMBOL NO. | INDEX NO. |
|------------|-----------|
| D2         | 120       |
| D3         | 120       |
| D4         | 122       |
| D5         | 119       |
| ---        | ---       |
| D6         | 120       |
| D7         | 120       |
| D8         | 118       |
| D9         | 120       |

### FIL

| SYMBOL NO. | INDEX NO. |
|------------|-----------|
| FIL1       | 154       |
| FIL2       | 157       |
| FIL3       | 157       |
| FIL4       | 157       |
| FIL5       | 157       |
| ---        | ---       |
| FIL6       | 157       |
| FIL7       | 157       |
| FIL8       | 157       |
| FIL9       | 154       |
| FIL10      | 157       |

### IC

| SYMBOL NO. | INDEX NO. |
|------------|-----------|
| IC1        | 129       |
| ---        | ---       |
| ---        | ---       |
| ---        | ---       |
| ---        | ---       |
| ---        | ---       |
| ---        | ---       |
| IC7        | 133       |
| IC8        | 3         |
| IC9        | 213       |
| ---        | ---       |

| SYMBOL NO. | INDEX NO. |
|------------|-----------|
| ---        | ---       |
| IC12       | 1         |
| ---        | ---       |
| IC14       | 2         |
| IC15       | 127       |
| ---        | ---       |
| IC16       | 130       |
| IC17       | 131       |
| IC18       | 132       |
| ---        | ---       |
| IC20       | 129       |

| SYMBOL NO. | INDEX NO. |
|------------|-----------|
| IC21       | 126       |
| IC22       | 125       |
| IC23       | 129       |
| ---        | ---       |
| IC25       | 125       |

### JP

| SYMBOL NO. | INDEX NO. |
|------------|-----------|
| JP1        | 184       |
| JP2        | 184       |
| ---        | ---       |
| ---        | ---       |
| JP5        | 184       |
| JP6        | 184       |
| JP7        | 184       |
| ---        | ---       |
| ---        | ---       |
| JP9        | 184       |
| JP10       | 184       |
| JP11       | 184       |

### L

| SYMBOL NO. | INDEX NO. |
|------------|-----------|
| L2         | 156       |
| L3         | 155       |
| L4         | 155       |
| L5         | 153       |

### LED

| SYMBOL NO. | INDEX NO. |
|------------|-----------|
| LED1       | 123       |
| LED2       | 124       |

## 4.FCU BOARD (B502)

### OSC

| SYMBOL NO. | INDEX NO. |
|------------|-----------|
| OSC1       | 135       |
| ---        | ---       |
| OSC3       | 134       |

### Q

| SYMBOL NO. | INDEX NO. |
|------------|-----------|
| Q1         | 114       |
| Q2         | 116       |
| ---        | ---       |
| Q4         | 113       |
| Q5         | 113       |
|            |           |
| Q6         | 115       |
| Q7         | 116       |
| Q8         | 117       |
| Q9         | 116       |

### RESISTOR

| SYMBOL NO. | INDEX NO. |
|------------|-----------|
| R1         | 161       |
| R2         | 162       |
| R3         | 162       |
| R4         | 180       |
| R5         | 188       |
|            |           |
| R6         | 189       |
| R7         | 194       |
| R8         | 196       |
| R9         | 189       |
| R10        | 194       |

| SYMBOL NO. | INDEX NO. |
|------------|-----------|
| R11        | 166       |
| R12        | 161       |
| R13        | 161       |
| R14        | 195       |
| R15        | 180       |
|            |           |
| R16        | 186       |
| ---        | ---       |
| ---        | ---       |
| ---        | ---       |
| ---        | ---       |

| SYMBOL NO. | INDEX NO. |
|------------|-----------|
| ---        | ---       |
| ---        | ---       |
| ---        | ---       |
| ---        | ---       |
| R25        | 175       |
|            |           |
| R26        | 166       |
| R27        | 175       |
| R28        | 175       |
| R29        | 179       |
| R30        | 167       |

| SYMBOL NO. | INDEX NO. |
|------------|-----------|
| R31        | 164       |
| ---        | ---       |
| ---        | ---       |
| R34        | 190       |
| R35        | 166       |
|            |           |
| ---        | ---       |
| ---        | ---       |
| R38        | 175       |
| R39        | 175       |
| R40        | 166       |

| SYMBOL NO. | INDEX NO. |
|------------|-----------|
| R41        | 164       |
| R42        | 171       |
| R43        | 175       |
| R44        | 175       |
| R45        | 163       |
|            |           |
| R46        | 175       |
| R47        | 175       |
| R48        | 179       |
| R49        | 175       |
| R50        | 167       |

### RESISTOR

| SYMBOL NO. | INDEX NO. |
|------------|-----------|
| ---        | ---       |
| R52        | 166       |
| R53        | 166       |
| R54        | 166       |
| R55        | 168       |
|            |           |
| R56        | 183       |
| R57        | 181       |
| R58        | 181       |
| R59        | 173       |
| R60        | 167       |

| SYMBOL NO. | INDEX NO. |
|------------|-----------|
| R61        | 173       |
| R62        | 172       |
| R63        | 182       |
| R64        | 187       |
| R65        | 187       |
|            |           |
| R66        | 164       |
| R67        | 181       |
| R68        | 181       |
| R69        | 181       |
| R70        | 181       |

| SYMBOL NO. | INDEX NO. |
|------------|-----------|
| ---        | ---       |
| ---        | ---       |
| R73        | 165       |
| R74        | 159       |
| R75        | 178       |
|            |           |
| ---        | ---       |
| R77        | 175       |
| ---        | ---       |
| R79        | 191       |
| R80        | 158       |

| SYMBOL NO. | INDEX NO. |
|------------|-----------|
| R81        | 174       |
| ---        | ---       |
| R83        | 164       |
| R84        | 166       |
| ---        | ---       |
|            |           |
| R86        | 200       |
| R87        | 166       |
| R88        | 167       |
| R89        | 160       |
| R90        | 167       |

| SYMBOL NO. | INDEX NO. |
|------------|-----------|
| R91        | 170       |
| R92        | 170       |
| R93        | 169       |
| R94        | 173       |
| R95        | 166       |
|            |           |
| R96        | 167       |
| R97        | 166       |
| R98        | 179       |
| R99        | 179       |
| R100       | 173       |

| SYMBOL NO. | INDEX NO. |
|------------|-----------|
| R101       | 177       |
| R102       | 177       |
| R103       | 166       |
| ---        | ---       |
| ---        | ---       |
|            |           |
| ---        | ---       |
| R107       | 175       |
| R108       | 175       |
| R109       | 175       |
| R110       | 175       |

| SYMBOL NO. | INDEX NO. |
|------------|-----------|
| R111       | 175       |
| R112       | 175       |
| R113       | 175       |
| R114       | 175       |
| R115       | 167       |
|            |           |
| R116       | 167       |
| R117       | 167       |
| R118       | 175       |
| R119       | 175       |
| R120       | 175       |

## 4.FCU BOARD (B502)

### RESISTOR

| SYMBOL NO. | INDEX NO. |
|------------|-----------|
| R121       | 167       |
| R122       | 172       |
| R123       | 164       |
| R124       | 176       |
| R125       | 179       |
| ---        | ---       |
| R126       | 193       |
| R126       | 192       |
| R127       | 185       |
| ---        | ---       |
| ---        | ---       |

| SYMBOL NO. | INDEX NO. |
|------------|-----------|
| ---        | ---       |
| ---        | ---       |
| ---        | ---       |
| ---        | ---       |
| ---        | ---       |
| ---        | ---       |
| R138       | 175       |
| R139       | 172       |
| R140       | 172       |

| SYMBOL NO. | INDEX NO. |
|------------|-----------|
| R141       | 176       |
| R142       | 164       |
| R143       | 166       |
| R144       | 163       |
| R145       | 166       |
| ---        | ---       |
| R147       | 175       |
| R148       | 166       |
| R149       | 163       |
| R150       | 166       |

| SYMBOL NO. | INDEX NO. |
|------------|-----------|
| R151       | 175       |
| R152       | 165       |
| R153       | 175       |
| R154       | 166       |
| R155       | 166       |
| ---        | ---       |
| R156       | 166       |
| R157       | 167       |
| R158       | 167       |
| R159       | 167       |
| R160       | 167       |

| SYMBOL NO. | INDEX NO. |
|------------|-----------|
| R161       | 166       |
| R162       | 167       |

### REG

| SYMBOL NO. | INDEX NO. |
|------------|-----------|
| REG1       | 128       |

### RN

| SYMBOL NO. | INDEX NO. |
|------------|-----------|
| RN1        | 137       |
| RN2        | 137       |
| RN3        | 137       |
| RN4        | 137       |
| RN5        | 137       |
| ---        | ---       |
| RN6        | 137       |
| RN7        | 137       |
| RN8        | 137       |
| RN9        | 137       |
| RN10       | 137       |

| SYMBOL NO. | INDEX NO. |
|------------|-----------|
| RN11       | 137       |
| RN12       | 137       |
| RN13       | 137       |
| RN14       | 136       |
| RN15       | 136       |
| ---        | ---       |
| RN16       | 138       |
| RN17       | 137       |
| RN18       | 137       |
| RN19       | 137       |
| RN20       | 137       |

### RN

| SYMBOL NO. | INDEX NO. |
|------------|-----------|
| RN21       | 137       |
| RN22       | 137       |
| RN23       | 137       |
| RN24       | 137       |
| ---        | ---       |
| ---        | ---       |
| ---        | ---       |
| ---        | ---       |
| ---        | ---       |
| RN30       | 137       |

| SYMBOL NO. | INDEX NO. |
|------------|-----------|
| RN31       | 137       |
| RN32       | 137       |
| RN33       | 137       |
| RN34       | 136       |
| RN35       | 136       |
| ---        | ---       |
| RN37       | 139       |
| RN38       | 139       |
| RN39       | 139       |
| RN40       | 139       |

| SYMBOL NO. | INDEX NO. |
|------------|-----------|
| RN41       | 139       |
| RN42       | 139       |
| RN43       | 139       |
| RN44       | 139       |
| RN45       | 139       |
| ---        | ---       |
| RN46       | 139       |
| RN47       | 136       |
| RN48       | 136       |
| RN49       | 136       |

### SW

| SYMBOL NO. | INDEX NO. |
|------------|-----------|
| SW1        | 111       |

### ZD

| SYMBOL NO. | INDEX NO. |
|------------|-----------|
| ZD1        | 121       |

#### 4.FCU BOARD (B502)

| Index No. | Part No.  | Description          | Q'ty Per Assembly |
|-----------|-----------|----------------------|-------------------|
| *         | B502 5172 | FCU Board - 120V     | 1                 |
| *         | B502 5173 | FCU Board - 230V TWN | 1                 |
| 1         | B028 5510 | IC - FACE2           | 1                 |
| 2         | B057 5570 | IC - FBI2            | 1                 |
| 3         | H306 7103 | IC - HICRW2          | 1                 |

| Index No. | Part No.  | Description                    | Q'ty Per Assembly |
|-----------|-----------|--------------------------------|-------------------|
| 101       | 1102 4204 | CT Header - 5P                 |                   |
| 102       | 1102 4212 | CT Header - 15P                |                   |
| 103       | 1102 4464 | CT Header(h) - 6P              |                   |
| 104       | 1102 4619 | Connector - 2P                 |                   |
| 105       | 1102 7389 | Connector - FH12-50S-0.5SV     |                   |
| 106       | 1102 7455 | Connector - FX6-60S-0.8SV2     |                   |
| 107       | 1102 7778 | Connector - TX25-80P-12ST-     |                   |
| 108       | 1102 7907 | Connector - FPC                |                   |
| 109       | 1102 8089 | Connector - 53493-0801         |                   |
| 110       | 1102 8189 | DIMM Connector - 54534-1440    |                   |
| 111       | 1204 2373 | Key Board Switch - SKQDPA      |                   |
| 112       | 1206 0084 | Lithium Cell-VL2330/1HF        |                   |
| 113       | 1400 0398 | Transistor - 2SC2412K          |                   |
| 114       | 1400 0637 | Transistor - DTC144EUA         |                   |
| 115       | 1400 0769 | Transistor - 2SA1576A          |                   |
| 116       | 1400 0822 | Transistor - 2SA1900           |                   |
| 117       | 1401 1116 | Transistor - 2SC5053           |                   |
| 118       | 1402 1058 | Diode Array - DA114            |                   |
| 119       | 1402 1336 | Diode - 1SS355                 |                   |
| 120       | 1402 1343 | Diode - RB106L-40              |                   |
| 121       | 1402 1345 | Diode - UDZ3.6B                |                   |
| 122       | 1402 1437 | Diode - RB500V-40              |                   |
| 123       | 1403 0829 | Diode - SEC1201C               |                   |
| 124       | 1403 0945 | LED SEC1401C                   |                   |
| 125       | 1407 1878 | IC - TC4053BF                  |                   |
| 126       | 1407 4649 | IC - TC7S32FU                  |                   |
| 127       | 1407 5197 | IC - TC7SZ126FU                |                   |
| 128       | 1408 0876 | Switching Regulator - M5291FP  |                   |
| 129       | 1408 0942 | IC - BA4558F                   |                   |
| 130       | 1408 1105 | IC - RH5VL28C                  |                   |
| 131       | 1408 1416 | IC - RH5RI331B                 |                   |
| 132       | 1408 1449 | IC - M62220FP                  |                   |
| 133       | 1408 1477 | IC - R288F-29                  |                   |
| 134       | 1503 0758 | Oscillator - MC-306 32.768MHz  |                   |
| 135       | 1503 0906 | Crystal Oscillator - 28.224MHz |                   |

| Index No. | Part No.  | Description                                 | Q'ty Per Assembly |
|-----------|-----------|---|-------------------|
| 136       | 1601 7752 | Resistor Array - 10K $\Omega$ $\pm$ 5%      |                   |
| 137       | 1601 7867 | Resistor - 33 $\Omega$ $\pm$ 5% 1/16W       |                   |
| 138       | 1601 7877 | Resistor Array 4.7k $\Omega$ $\pm$ 5% 1/32W |                   |
| 139       | 1601 7899 | Resistor Array - 56 $\Omega$ $\pm$ 5% 1/16W |                   |
| 140       | 1604 2527 | Capacitor - 100 $\mu$ F $\pm$ 20% 25V       |                   |
| 141       | 1604 4335 | Capacitor - 220 $\mu$ F $\pm$ 20% 10V       |                   |
| 142       | 1604 4428 | Capacitor 100 $\mu$ F20% 16V                |                   |
| 143       | 1604 4518 | Capacitor - 3.3 $\mu$ F $\pm$ 20% 25V       |                   |
| 144       | 1604 4550 | Capacitor - 220 $\mu$ F $\pm$ 20% 25V       |                   |
| 145       | 1604 5002 | Capacitor - 220 $\mu$ F $\pm$ 20% 6.3V      |                   |
| 146       | 1605 1055 | Capacitor - 0.022 $\mu$ F $\pm$ 10% 25V     |                   |
| 147       | 1605 1122 | Capacitor 1 $\mu$ F+80-20% 10V              |                   |
| 148       | 1605 1133 | Capacitor 510pF $\pm$ 5% 50V                |                   |
| 149       | 1605 1143 | Capacitor - 0.15 $\mu$ F $\pm$ 10% 25V      |                   |
| 150       | 1605 1159 | Capacitor - 0.068 $\mu$ F $\pm$ 10% 16V     |                   |
| 151       | 1605 1167 | Capacitor - 0.22 $\mu$ F $\pm$ 10% 10V      |                   |
| 152       | 1605 1225 | Capacitor - 0.1 $\mu$ F $\pm$ 10% 50V       |                   |
| 153       | 1607 0773 | Coil - LH10NB101K - 100UH                   |                   |
| 154       | 1607 0861 | Filter - BK2125HS101                        |                   |
| 155       | 1607 0897 | Choke Coil - ELC08D271                      |                   |
| 156       | 1607 0917 | Inductor - LK2125 8R2K                      |                   |
| 157       | 1607 1042 | Filter - ACB1608M-600                       |                   |
| 158       | 1610 1347 | Resistor - 0.22 $\Omega$ $\pm$ 5% 1/4W      |                   |
| 159       | 1610 1377 | Resistor - 0.1 $\Omega$ $\pm$ 2% 1/2W       |                   |
| 160       | 1630 1681 | Resistor - 680 $\Omega$ $\pm$ 5%            |                   |
| 161       | 1630 3100 | Resistor - 10 $\Omega$ $\pm$ 5% 1/10W       |                   |
| 162       | 1630 3331 | Resistor - 330 $\Omega$ $\pm$ 5% 1/10W      |                   |
| 163       | 1630 4100 | Resistor - 10 $\Omega$ $\pm$ 5% 1/16W       |                   |
| 164       | 1630 4101 | Resistor - 100 $\Omega$ $\pm$ 5% 1/16W      |                   |
| 165       | 1630 4102 | Resistor - 1.0K $\Omega$ $\pm$ 5% 1/16W     |                   |
| 166       | 1630 4103 | Resistor - 10K $\Omega$ $\pm$ 5% 1/16W      |                   |
| 167       | 1630 4104 | Resistor - 100 $\Omega$ $\pm$ 5% 1/16W      |                   |
| 168       | 1630 4105 | Resistor - 1.0M $\Omega$ $\pm$ 5% 1/16W     |                   |
| 169       | 1630 4123 | Resistor - 12k $\Omega$ - $\pm$ 5% - 1/16W  |                   |
| 170       | 1630 4184 | Resistor - 180k $\Omega$ $\pm$ 5% 1/16W     |                   |

| Index No. | Part No.  | Description                                 | Q'ty Per Assembly |
|-----------|-----------|---|-------------------|
| 171       | 1630 4202 | Resistor - 2K $\Omega$ $\pm$ 5%-            |                   |
| 172       | 1630 4204 | Resistor - 200K $\Omega$ $\pm$ 5% 1/16W     |                   |
| 173       | 1630 4223 | Resistor - 22K $\Omega$ $\pm$ 5% 1/16W      |                   |
| 174       | 1630 4240 | Resistor - 24 $\Omega$ $\pm$ 5% 1/16W       |                   |
| 175       | 1630 4330 | Resistor - 33 $\Omega$ $\pm$ 5% 1/8W        |                   |
| 176       | 1630 4332 | Resistor - 3.3K $\Omega$ $\pm$ 5% 1/16W     |                   |
| 177       | 1630 4333 | Resistor - 33K $\Omega$ $\pm$ 5% 1/16W      |                   |
| 178       | 1630 4391 | Resistor - 390 $\Omega$ $\pm$ 5.00% 1/16W   |                   |
| 179       | 1630 4472 | Resistor - 4.7K $\Omega$ $\pm$ 5% 1/16W     |                   |
| 180       | 1630 4473 | Resistor - 47k $\Omega$ - $\pm$ 5% - 1/16W  |                   |
| 181       | 1630 4560 | Resistor - 56 $\Omega$ $\pm$ 5% 1/16W       |                   |
| 182       | 1630 4562 | Resistor - 5.6k $\Omega$ - $\pm$ 5% - 1/16W |                   |
| 183       | 1630 4823 | Resistor - 82K $\Omega$ $\pm$ 5% 1/16W      |                   |
| 184       | 1634 0000 | Resistor - 0 $\Omega$ 1/16W                 |                   |
| 185       | 1634 1000 | Resistor - 100 $\Omega$ $\pm$ 1% 1/16W      |                   |
| 186       | 1634 1002 | Resistor - 10 $\Omega$ $\pm$ 5% 1/16W       |                   |
| 187       | 1634 1100 | Resistor - 110 $\Omega$ $\pm$ 1% 1/16W      |                   |
| 188       | 1634 1243 | Resistor - 124K $\Omega$ $\pm$ 1% 1/16W     |                   |
| 189       | 1634 2002 | Resistor - 20K $\Omega$ $\pm$ 1% 1/16W      |                   |
| 190       | 1634 2202 | Resistor - 22K $\Omega$ $\pm$ 1% 1/16W      |                   |
| 191       | 1634 2401 | Resistor - 2.4K $\Omega$ $\pm$ 1% 1/16W     |                   |
| 192       | 1634 2490 | Resistor - 249 $\Omega$ $\pm$ 1% 1/16W      |                   |
| 193       | 1634 3900 | Resistor - 390 $\Omega$ $\pm$ 1% 1/16W      |                   |
| 194       | 1634 4022 | Resistor - 40.2K $\Omega$ $\pm$ 1% 1/16W    |                   |
| 195       | 1634 5600 | Resistor - 560 $\Omega$ $\pm$ 1% 1/16W      |                   |
| 196       | 1634 6192 | Resistor - 61.9 $\Omega$ $\pm$ 1% 1/16W     |                   |
| 197       | 1644 0100 | Capacitor - 10 $\mu$ F $\pm$ 20% 10V        |                   |
| 198       | 1644 0470 | Capacitor - 47 $\mu$ F $\pm$ 20% 10V        |                   |
| 199       | 1644 2100 | Capacitor - 10 $\mu$ F $\pm$ 20% 25V        |                   |
| 200       | 1650 3201 | Resistor - 200 $\Omega$ $\pm$ 5% 1/8W       |                   |
| 201       | 1660 0100 | Capacitor - 10PF $\pm$ 0.5pF 50V            |                   |
| 202       | 1660 2101 | Capacitor - 100pF - $\pm$ 10% - 50V         |                   |
| 203       | 1660 2120 | Capacitor - 12 pF $\pm$ 5% 50V              |                   |
| 204       | 1660 2150 | Capacitor - 15pF $\pm$ 5% 50V               |                   |
| 205       | 1660 2181 | Capacitor - 180pF $\pm$ 5% 50V              |                   |

| Index No. | Part No.  | Description                          | Q'ty Per Assembly |
|-----------|-----------|--------------------------------------|-------------------|
| 206       | 1660 2470 | Capacitor - 47pF $\pm$ 5% 50V        |                   |
| 207       | 1660 2471 | Capacitor - 470pF - $\pm$ 5% - 50V   |                   |
| 208       | 1660 3821 | Capacitor - 820pF $\pm$ 5% 50V       |                   |
| 209       | 1660 4102 | Capacitor - 1000pF $\pm$ 10% 50V     |                   |
| 210       | 1660 4332 | Capacitor - 3300pF - $\pm$ 10% - 50V |                   |
| 211       | 1660 6103 | Capacitor - 10000pF - +80%-20%50V    |                   |
| 212       | 1660 8104 | Capacitor - 0.1 $\mu$ F+80-20% 25V   |                   |
| 213       | 1907 0016 | IC - SDRAM-64M-1MX16X4 100MHZ G5     |                   |

| Index No. | Part No. | Description | Q'ty Per Assembly |
|-----------|----------|-------------|-------------------|
|           |          |             |                   |

## 5.NCU BOARD NA (B502)

### CAPACITOR

| SYMBOL NO. | INDEX NO. |
|------------|-----------|
| C2         | 117       |
| C3         | 129       |
| C4         | 128       |
| C5         | 130       |

### CONNECTOR

| SYMBOL NO. | INDEX NO. |
|------------|-----------|
| CN1        | 102       |
| CN2        | 102       |
| CN3        | 101       |

### DB

| SYMBOL NO. | INDEX NO. |
|------------|-----------|
| DB1        | 109       |

### FUSE

| SYMBOL NO. | INDEX NO. |
|------------|-----------|
| FU1        | 103       |

### PC

| SYMBOL NO. | INDEX NO. |
|------------|-----------|
| PC1        | 111       |
| PC2        | 112       |
| PC3        | 110       |

### RESISTOR

| SYMBOL NO. | INDEX NO. |
|------------|-----------|
| R1         | 120       |
| R2         | 116       |
| R3         | 121       |
| R4         | 124       |
| R5         | 123       |
| R6         | 122       |
| R7         | 127       |
| R8         | 126       |
| R9         | 125       |

### RY

| SYMBOL NO. | INDEX NO. |
|------------|-----------|
| RY1        | 104       |

### DIODE

| SYMBOL NO. | INDEX NO. |
|------------|-----------|
| D1         | 107       |
| D2         | 107       |

### FIL

| SYMBOL NO. | INDEX NO. |
|------------|-----------|
| FIL1       | 118       |
| FIL2       | 118       |

### L

| SYMBOL NO. | INDEX NO. |
|------------|-----------|
| L1         | 119       |

### PC

| SYMBOL NO. | INDEX NO. |
|------------|-----------|
| Q1         | 105       |
| Q2         | 106       |
| Q3         | 2         |

### T

| SYMBOL NO. | INDEX NO. |
|------------|-----------|
| T2         | 1         |

### V

| SYMBOL NO. | INDEX NO. |
|------------|-----------|
| V1         | 114       |
| V2         | 113       |
| V3         | 115       |
| V4         | 115       |

### ZD

| SYMBOL NO. | INDEX NO. |
|------------|-----------|
| ZD1        | 108       |
| ZD2        | 108       |



## 5.NCU BOARD NA (B502)

| Index No. | Part No.  | Description          | Q'ty Per Assembly |
|-----------|-----------|----------------------|-------------------|
| *         | 5488 6122 | NCU Board - 115V     | 1                 |
| 1         | H306 7111 | Trans - LT9860       | 1                 |
| 2         | H502 7111 | Transistor- 2SC4505Q | 1                 |

| Index No. | Part No.  | Description                             | Q'ty Per Assembly |
|-----------|-----------|---|-------------------|
| 101       | 1102 4212 | CT Header - 15P                         |                   |
| 102       | 1102 6415 | Modular Cord - 6-6P                     |                   |
| 103       | 1107 0947 | Fuse - 230.500                          |                   |
| 104       | 1208 1410 | Relay - EC2-224ND                       |                   |
| 105       | 1400 0826 | Transistor - 2SA1776                    |                   |
| 106       | 1400 0844 | Transistor - FMG8A                      |                   |
| 107       | 1401 0821 | Diode - 1SS133                          |                   |
| 108       | 1402 1224 | Diode - MTZJ5.1A                        |                   |
| 109       | 1402 1607 | Diode - S1NB60                          |                   |
| 110       | 1403 0598 | Photo Coupler - PS2501-2                |                   |
| 111       | 1403 0620 | Photo Coupler                           |                   |
| 112       | 1403 0812 | Photocoupler - PS2532-1-V               |                   |
| 113       | 1404 0129 | Varistor - VR - 63B                     |                   |
| 114       | 1404 0341 | Varistor - TNR9G101K                    |                   |
| 115       | 1404 0937 | Varistor - DSSV-401M-YD                 |                   |
| 116       | 1601 5276 | Resistor - 18 $\Omega$                  |                   |
| 117       | 1606 1860 | Capacitor - 0.47 $\mu$ F250V            |                   |
| 118       | 1607 0069 | Fuse - BL02RN2-R62-PB                   |                   |
| 119       | 1607 0396 | Choke - SBT-0180W                       |                   |
| 120       | 1611 4473 | Resistor - 47K $\Omega$ 1/4T $\pm$ 5%   |                   |
| 121       | 1611 9182 | Resistor - 1.8k $\Omega$ $\pm$ 5% 1/2W  |                   |
| 122       | 1630 3104 | Resistor - 100K $\Omega$ 1/10W $\pm$ 5% |                   |
| 123       | 1630 3151 | Resistor - 150 $\Omega$ $\pm$ 5% 1/10W  |                   |
| 124       | 1630 3180 | Resistor - 18 $\Omega$ $\pm$ 5% 1/10W   |                   |
| 125       | 1630 3392 | Resistor - 3.9k $\Omega$ - 1/10W        |                   |
| 126       | 1633 2002 | Resistor - 20K $\Omega$ $\pm$ 1% 1/10W  |                   |
| 127       | 1633 4702 | Resistor - 47K $\Omega$ $\pm$ 1/10W     |                   |
| 128       | 1640 5221 | Capacitor - 220 $\mu$ F $\pm$ 20% 50V   |                   |
| 129       | 1643 5100 | Capacitor - 10 $\mu$ F $\pm$ 20% 50V    |                   |
| 130       | 1643 5229 | Capacitor - 2.2 $\mu$ F $\pm$ 20% 50V   |                   |

## 6.NCU BOARD EU (B502)

### CAPACITOR

| SYMBOL NO. | INDEX NO. |
|------------|-----------|
| C1         | 127       |
| C2         | 126       |
| C3         | 143       |
| C4         | 125       |
| C5         | 124       |
| C6         | 144       |
| ---        | ---       |
| C8         | 142       |
| C9         | 123       |
| C10        | 147       |

### CONNECTOR

| SYMBOL NO. | INDEX NO. |
|------------|-----------|
| C11        | 147       |
| C12        | 145       |
| C13        | 147       |
| C14        | 146       |

| SYMBOL NO. | INDEX NO. |
|------------|-----------|
| CN1        | 102       |
| CN2        | 101       |
| CN3        | 103       |
| CN4        | 103       |

### DIODE

| SYMBOL NO. | INDEX NO. |
|------------|-----------|
| D1         | 110       |
| D2         | 110       |
| D3         | 110       |
| D4         | 110       |

### DB

| SYMBOL NO. | INDEX NO. |
|------------|-----------|
| DB1        | 113       |
| DB2        | 113       |
| DB3        | 120       |

### FIL

| SYMBOL NO. | INDEX NO. |
|------------|-----------|
| FIL1       | 128       |
| FIL2       | 128       |
| FIL3       | 129       |

### L

| SYMBOL NO. | INDEX NO. |
|------------|-----------|
| L1         | 131       |
| L2         | 130       |

### PC

| SYMBOL NO. | INDEX NO. |
|------------|-----------|
| PC1        | 114       |
| PC2        | 116       |
| PC3        | 115       |
| PC4        | 116       |

### HIC

| SYMBOL NO. | INDEX NO. |
|------------|-----------|
| HIC1       | 2         |

### Q

| SYMBOL NO. | INDEX NO. |
|------------|-----------|
| Q1         | 108       |
| Q2         | 106       |
| Q3         | 107       |
| Q4         | 109       |
| Q5         | 109       |

### RESISTOR

| SYMBOL NO. | INDEX NO. |
|------------|-----------|
| R1         | 122       |
| R2         | 134       |
| R3         | 134       |
| R4         | 133       |
| R5         | 121       |
| R6         | 132       |
| R7         | 132       |
| R8         | 140       |
| R9         | 136       |
| R10        | 141       |

### RESISTOR

| SYMBOL NO. | INDEX NO. |
|------------|-----------|
| R11        | 137       |
| R12        | 139       |
| R13        | 139       |
| R14        | 139       |
| R15        | 137       |
| R16        | 138       |
| R17        | 138       |
| R18        | 135       |
| RY1        | 105       |
| RY2        | 104       |

### T

| SYMBOL NO. | INDEX NO. |
|------------|-----------|
| T2         | 1         |

### V

| SYMBOL NO. | INDEX NO. |
|------------|-----------|
| V1         | 118       |
| V2         | 117       |
| ---        | ---       |
| V4         | 119       |

### ZD

| SYMBOL NO. | INDEX NO. |
|------------|-----------|
| ZD1        | 111       |
| ZD2        | 111       |
| ZD3        | 112       |
| ZD4        | 112       |

## 6.NCU BOARD EU (B502)

| Index No. | Part No.  | Description           | Q'ty Per Assembly |
|-----------|-----------|-----------------------|-------------------|
| *         | B418 5195 | NCU-NE2A Board (230V) | 1                 |
| *         | B418 5197 | NCU Board - Taiwan    | 1                 |
| 1         | H306 7121 | Transformer- 98-60    | 1                 |
| 2         | H545 7108 | HIC - 220/240V        | 1                 |

| Index No. | Part No.  | Description                           | Q'ty Per Assembly |
|-----------|-----------|---------------------------------------|-------------------|
| 101       | 1102 4204 | CT Header - 5P                        |                   |
| 102       | 1102 4212 | CT Header - 15P                       |                   |
| 103       | 1102 6415 | Modular Cord - 6-6P                   |                   |
| 104       | 1208 1410 | Relay - EC2-224ND                     |                   |
| 105       | 1208 1419 | Relay -ALD124                         |                   |
| 106       | 1400 0358 | Transistor - 2SA950-0                 |                   |
| 107       | 1400 0576 | Transistor - 2SC3621                  |                   |
| 108       | 1400 0577 | Transistor - 2SA1320                  |                   |
| 109       | 1400 0844 | Transistor - FMG8A                    |                   |
| 110       | 1401 0821 | Diode - 1SS133                        |                   |
| 111       | 1402 1223 | Diode - MTZJ2.0A                      |                   |
| 112       | 1402 1224 | Diode - MTZJ5.1A                      |                   |
| 113       | 1402 1335 | Bridge - S1WB(A)60                    |                   |
| 114       | 1403 0791 | Photocoupler - PS2561-1-V             |                   |
| 115       | 1403 0812 | Photocoupler - PS2532-1-V             |                   |
| 116       | 1403 0950 | Photocoupler - PS2532-2-V             |                   |
| 117       | 1404 0283 | Varistor - TNR9G431K                  |                   |
| 118       | 1404 0342 | Varistor - TNR9G121K                  |                   |
| 119       | 1404 0983 | Arrestor- RA-102MS-V7-F(5)            |                   |
| 120       | 1405 0180 | Rectifier - OR5G4B42                  |                   |
| 121       | 1600 1638 | Resistor - 47 $\Omega$ $\pm$ 5% 1W    |                   |
| 122       | 1601 5420 | Resistor - 120 $\Omega$ $\pm$ 5% 2W   |                   |
| 123       | 1604 4301 | Capacitor - 220 $\mu$ F $\pm$ 20%     |                   |
| 124       | 1606 1761 | Capacitor - 1.0 $\mu$ F250V           |                   |
| 125       | 1606 1860 | Capacitor - 0.47 $\mu$ F250V          |                   |
| 126       | 1606 1877 | Capacitor - 0.027 $\mu$ F $\pm$ 10%   |                   |
| 127       | 1606 2026 | Capacitor - 0.1 $\mu$ F $\pm$ 10%     |                   |
| 128       | 1607 0069 | Fuse - BL02RN2-R62-PB                 |                   |
| 129       | 1607 0536 | Fuse Core - EXCELDR35C                |                   |
| 130       | 1607 0760 | Coil TLF9UB302W                       |                   |
| 131       | 1607 1083 | Coil ELF1010SKI-332J                  |                   |
| 132       | 1611 4120 | Resistor - 12 $\Omega$ 1/4W           |                   |
| 133       | 1611 4153 | Resistor - 15K $\Omega$ 1/4T $\pm$ 5% |                   |
| 134       | 1611 9303 | Resistor 30k $\Omega$ $\pm$ 5% 1/2W   |                   |
| 135       | 1630 3100 | Resistor - 10 $\Omega$ $\pm$ 5% 1/10W |                   |

| Index No. | Part No.  | Description                             | Q'ty Per Assembly |
|-----------|-----------|---|-------------------|
| 136       | 1630 3103 | Resistor - 10K $\Omega$ 1/10W $\pm$ 5%  |                   |
| 137       | 1630 3302 | Resistor - 3k $\Omega$ - 1/10W          |                   |
| 138       | 1630 3471 | Resistor - 470 $\Omega$ - 1/10W         |                   |
| 139       | 1630 3472 | Resistor - 4.7K $\Omega$ 1/10W $\pm$ 5% |                   |
| 140       | 1633 1602 | Resistor - 16K $\Omega$ $\pm$ 1% 1/4W   |                   |
| 141       | 1633 7501 | Resistor - 7.5K $\Omega$ $\pm$ 5% 1/10W |                   |
| 142       | 1640 5101 | Capacitor - 100 $\mu$ F $\pm$ 20% 50V   |                   |
| 143       | 1643 5100 | Capacitor - 10 $\mu$ F $\pm$ 20% 50V    |                   |
| 144       | 1643 5479 | Capacitor - 4 $\mu$ F $\pm$ 20% 50V     |                   |
| 145       | 1660 5102 | Capacitor - 1000pF $\pm$ 10% 50V        |                   |
| 146       | 1660 5222 | Capacitor - 2200pF $\pm$ 10% 50V        |                   |
| 147       | 1660 7103 | Capacitor - 10000pF 50V                 |                   |

| Index No. | Part No. | Description | Q'ty Per Assembly |
|-----------|----------|-------------|-------------------|
|           |          |             |                   |

## 7.NCU BOARD NA (B503)

### CAPACITOR

| SYMBOL NO. | INDEX NO. |
|------------|-----------|
| C3         | 116       |
| C4         | 121       |
| C5         | 122       |

### CONNECTOR

| SYMBOL NO. | INDEX NO. |
|------------|-----------|
| CN1        | 101       |
| ---        | ---       |
| ---        | ---       |
| ---        | ---       |
| ---        | ---       |
| CN7        | 102       |
| CN8        | 102       |

### DIODE

| SYMBOL NO. | INDEX NO. |
|------------|-----------|
| D1         | 106       |
| D2         | 106       |

### FIL

| SYMBOL NO. | INDEX NO. |
|------------|-----------|
| FIL1       | 117       |
| FIL2       | 117       |
| FIL3       | 117       |

### PC

| SYMBOL NO. | INDEX NO. |
|------------|-----------|
| PC1        | 109       |
| PC2        | 108       |
| PC3        | 110       |

### RESISTOR

| SYMBOL NO. | INDEX NO. |
|------------|-----------|
| R1         | 120       |
| R2         | 115       |
| R3         | 127       |
| R4         | 123       |
| R5         | 128       |
| R6         | 126       |
| R7         | 125       |
| R8         | 124       |

### RY

| SYMBOL NO. | INDEX NO. |
|------------|-----------|
| RY1        | 103       |

### DB

| SYMBOL NO. | INDEX NO. |
|------------|-----------|
| DB1        | 107       |

### L

| SYMBOL NO. | INDEX NO. |
|------------|-----------|
| L1         | 118       |

### Q

| SYMBOL NO. | INDEX NO. |
|------------|-----------|
| Q1         | 104       |
| Q2         | 105       |

### T

| SYMBOL NO. | INDEX NO. |
|------------|-----------|
| T2         | 119       |

### V

| SYMBOL NO. | INDEX NO. |
|------------|-----------|
| V1         | 111       |
| V2         | 113       |
| V3         | 112       |
| V4         | 113       |
| V5         | 114       |

## 7.NCU BOARD NA (B503)

| Index No. | Part No.  | Description            | Q'ty Per Assembly |
|-----------|-----------|------------------------|-------------------|
| *         | 5488 6222 | NCU-FD-U2 Board – 120V | 1                 |

| Index No. | Part No.  | Description                     | Q'ty Per Assembly |
|-----------|-----------|---------------------------------|-------------------|
| 101       | 1102 5007 | CT Header - 14P                 |                   |
| 102       | 1102 6415 | Modular Cord - 6-6P             |                   |
| 103       | 1208 1438 | Relay - EC2 5ND                 |                   |
| 104       | 1400 0826 | Transistor - 2SA1776            |                   |
| 105       | 1400 0885 | Transistor - 2SC4505Q           |                   |
| 106       | 1401 0821 | Diode - 1SS133                  |                   |
| 107       | 1402 1607 | Diode - S1NB60                  |                   |
| 108       | 1403 0598 | Photo Coupler - PS2501-2        |                   |
| 109       | 1403 0620 | Photo Coupler                   |                   |
| 110       | 1403 0812 | Photocoupler - PS2532-1-V       |                   |
| 111       | 1404 0129 | Varistor - VR - 63B             |                   |
| 112       | 1404 0276 | Varistor - TNR9G331K            |                   |
| 113       | 1404 0283 | Varistor - TNR9G431K            |                   |
| 114       | 1404 0989 | Varistor - TNR7V121K            |                   |
| 115       | 1601 5395 | Resistor - 18Ω ±5% 1/2W         |                   |
| 116       | 1606 2160 | Capacitor - 0.47μF±10% 250V     |                   |
| 117       | 1607 0069 | Fuse - BL02RN2-R62-PB           |                   |
| 118       | 1607 0396 | Choke - SBT-0180W               |                   |
| 119       | 1607 1396 | Transformer - FLT319            |                   |
| 120       | 1611 8473 | Resistor - 47kΩ ± 5% 1/4W       |                   |
| 121       | 1642 5220 | Capacitor - 22μF±20% 50V        |                   |
| 122       | 1642 5229 | Capacitor 2.2μF±20% 50V         |                   |
| 123       | 1650 4104 | Resistor - 100KΩ±5% 1/10W       |                   |
| 124       | 1650 4151 | Resistor - 150Ω ±5% 1/10W       |                   |
| 125       | 1650 4180 | Chip Resistor - 18Ω ±5% 1/10W   |                   |
| 126       | 1650 4392 | Chip Resistor - 3.9kΩ ±5% 1/10W |                   |
| 127       | 1654 2002 | Resistor - 20KΩ±1%1/10W         |                   |
| 128       | 1654 4702 | Chip Resistor - 47kΩ ±1% 1/10W  |                   |

## 8.NCU BOARD EU (B503)

### CAPACITOR

| SYMBOL NO. | INDEX NO. |
|------------|-----------|
| C1         | 117       |
| C2         | 122       |
| C3         | 121       |
| C4         | 130       |
| C5         | 131       |
| C6         | 138       |
| C7         | 138       |
| C8         | 137       |
| C9         | 129       |

### CONNECTOR

| SYMBOL NO. | INDEX NO. |
|------------|-----------|
| CN1        | 101       |
| CN2        | 104       |
| CN3        | 104       |

### DIODE

| SYMBOL NO. | INDEX NO. |
|------------|-----------|
| D1         | 110       |
| D2         | 110       |

### DB

| SYMBOL NO. | INDEX NO. |
|------------|-----------|
| DB2        | 111       |
| DB3        | 112       |

### FIL

| SYMBOL NO. | INDEX NO. |
|------------|-----------|
| FIL1       | 123       |
| FIL2       | 123       |
| FIL3       | 123       |

### HIC

| SYMBOL NO. | INDEX NO. |
|------------|-----------|
| HIC1       | 1         |

### JP

| SYMBOL NO. | INDEX NO. |
|------------|-----------|
| JP17       | 128       |

### L

| SYMBOL NO. | INDEX NO. |
|------------|-----------|
| L2         | 124       |

### PC

| SYMBOL NO. | INDEX NO. |
|------------|-----------|
| PC1        | 113       |
| ---        | ---       |
| ---        | ---       |
| PC4        | 115       |
| PC5        | 114       |

### Q

| SYMBOL NO. | INDEX NO. |
|------------|-----------|
| Q1         | 107       |
| Q2         | 109       |
| Q3         | 108       |

### RESISTOR

| SYMBOL NO. | INDEX NO. |
|------------|-----------|
| R1         | 119       |
| R2         | 127       |
| ---        | ---       |
| R4         | 120       |
| R5         | 126       |
| R6         | 126       |
| R7         | 136       |
| R8         | 133       |
| R9         | 135       |
| R10        | 132       |

### RY

| SYMBOL NO. | INDEX NO. |
|------------|-----------|
| R11        | 134       |
| RY1        | 106       |

### TN

| SYMBOL NO. | INDEX NO. |
|------------|-----------|
| TB1        | 105       |
| TB1        | 102       |
| TB2        | 103       |
| TB2        | 105       |

### V

| SYMBOL NO. | INDEX NO. |
|------------|-----------|
| V1         | 118       |
| ---        | ---       |
| V3         | 116       |

### RY

| SYMBOL NO. | INDEX NO. |
|------------|-----------|
| T1         | 125       |

## 8.NCU BOARD EU (B503)

| Index No. | Part No.  | Description                  | Q'ty Per Assembly |
|-----------|-----------|------------------------------|-------------------|
| *         | 5488 6292 | NCU-FD-EA2T Board - 230V TWN | 1                 |
| 1         | H545 7108 | HIC - 220/240V               | 1                 |
| 101       | 1102 5007 | CT Header - 14P              |                   |
| 102       | 1102 5943 | Connector - 2P               |                   |
| 103       | 1102 5944 | Connector - 3P               |                   |

| Index No. | Part No.  | Description                                    | Q'ty Per Assembly |
|-----------|-----------|--|-------------------|
| 104       | 1102 6415 | Modular Cord - 6-6P                            |                   |
| 105       | 1104 0683 | Socket - IMSA-9206H-GF                         |                   |
| 106       | 1208 1438 | Relay - EC2 5ND                                |                   |
| 107       | 1400 0358 | Transistor - 2SA950-0                          |                   |
| 108       | 1400 0576 | Transistor - 2SC3621                           |                   |
| 109       | 1400 0826 | Transistor - 2SA1776                           |                   |
| 110       | 1401 0821 | Diode - 1SS133                                 |                   |
| 111       | 1402 1335 | Bridge - S1WB(A)60                             |                   |
| 112       | 1402 1607 | Diode - S1NB60                                 |                   |
| 113       | 1403 0791 | Photocoupler - PS2561-1-V                      |                   |
| 114       | 1403 0812 | Photocoupler - PS2532-1-V                      |                   |
| 115       | 1403 0950 | Photocoupler - PS2532-2-V                      |                   |
| 116       | 1404 0283 | Varistor - TNR9G431K                           |                   |
| 117       | 1404 0983 | Arrestor - RA-102MS-V7-F(5)                    |                   |
| 118       | 1404 0989 | Varistor - TNR7V121K                           |                   |
| 119       | 1600 1153 | Resistor - 2W 120 $\Omega$                     |                   |
| 120       | 1600 1294 | Resistor - 47 $\Omega$                         |                   |
| 121       | 1606 1761 | Capacitor - 1.0 $\mu$ F250V                    |                   |
| 122       | 1606 1860 | Capacitor - 0.47 $\mu$ F250V                   |                   |
| 123       | 1607 0069 | Fuse - BL02RN2-R62-PB                          |                   |
| 124       | 1607 0760 | Coil TLF9UB302W                                |                   |
| 125       | 1607 1246 | Transformer P3356                              |                   |
| 126       | 1611 8120 | Resistor - 12 $\Omega$ $\pm$ 5% 1/4W           |                   |
| 127       | 1611 9393 | Resistor - 39K $\Omega$ $\pm$ 5% 1/4W          |                   |
| 128       | 1633 0000 | Resistor - 0 $\Omega$ 1/10W                    |                   |
| 129       | 1634 0000 | Resistor - 0 $\Omega$ 1/16W                    |                   |
| 130       | 1640 5470 | Capacitor - 47 $\mu$ F $\pm$ 20% 50V           |                   |
| 131       | 1640 5479 | Capacitor - 4.7 $\mu$ F $\pm$ 20% 50V          |                   |
| 132       | 1650 4103 | Resistor - 10K $\Omega$ $\pm$ 5% 1/10W         |                   |
| 133       | 1650 4202 | Resistor - 2K $\Omega$ $\pm$ 5% 1/10W          |                   |
| 134       | 1650 4302 | Resistor - 3K $\Omega$ $\pm$ 5% 1/10W          |                   |
| 135       | 1653 1602 | Resistor - 16K $\Omega$ $\pm$ 1% 1/8W          |                   |
| 136       | 1654 7501 | Resistor - 7.5K $\Omega$ $\pm$ 1% 1/10W - 1608 |                   |
| 137       | 1660 4102 | Capacitor - 1000pF $\pm$ 10% 50V               |                   |
| 138       | 1660 8104 | Capacitor - 0.1 $\mu$ F+80-20% 25V             |                   |



# Parts Index

## Parts Index

| Part No.  | Description                           | Page and Index No. |
|-----------|---------------------------------------|--------------------|
| B502 1350 | Line & Tel Cap                        | 3 - 19             |
| B502 5172 | FCU Board - 120V                      | 3 - 4              |
| B502 5172 | FCU Board - 120V                      | 9 - *              |
| B502 5173 | FCU Board - 230V TWN                  | 9 - *              |
| B502 5173 | FCU Board - 230V TWN                  | 3 - 4              |
| B502 5181 | MBU Board - 120V                      | 3 - 7              |
| B502 5182 | MBU Board - 230V TWN                  | 3 - 7              |
| B502 5271 | FCU-NCUSP Harness - 230V TWN          | 3 - 3              |
| B502 5800 | NCU Insulating Sheet (EU & ASIA)      | 3 - 20             |
| B502 7180 | Right Cover keytop - TAIWAN           | 3 - 11             |
| B502 8607 | Operating Instructions - LT English 1 | 3 - 14             |
| B502 8608 | Operating Instructions - Asia Engli 1 | 3 - 14             |
| B502 8609 | Operating Instructions - Taiwanese 1  | 3 - 14             |
| B502 8657 | Operating Instructions - LT English 2 | 3 - 15             |
| B502 8658 | Operating Instructions - Asia Engli 2 | 3 - 15             |
| B502 8659 | Operating Instructions - Taiwanese 2  | 3 - 15             |

| Part No.  | Description                      | Page and Index No. |
|-----------|----------------------------------|--------------------|
| A285 5170 | PCB - EXFN Ass'y                 | 7 - 1              |
| B028 5510 | IC - FACE2                       | 9 - 1              |
| B051 5857 | NCU Bracket                      | 3 - 1              |
| B051 5858 | Speaker Bracket                  | 3 - 8              |
| B051 5870 | Fax Control Unit Bracket         | 3 - 5              |
| B051 5875 | Gasket - Fax Control Unit        | 3 - 6              |
| B057 5270 | FCU-NCUSP Harness - 120V         | 3 - 3              |
| B057 5570 | IC - FBI2                        | 9 - 2              |
| B404 3861 | SG3 Decal                        | 3 - 16             |
| B404 5821 | Handset Bracket (USA Only)       | 3 - 18             |
| B418 5195 | NCU - NE2A Board                 | 3 - 2              |
| B418 5195 | NCU-NE2A Board (230V)            | 17 - *             |
| B418 5197 | NCU Board - Taiwan               | 3 - 2              |
| B418 5197 | NCU Board - Taiwan               | 17 - *             |
| B503 5165 | CCU Interface Board              | 5 - 5              |
| B503 5272 | FCU-CCU IF Harness               | 5 - 6              |
| B503 5275 | EXNCU-FD Harness                 | 5 - 3              |
| B503 5500 | G3 Bracket                       | 5 - 10             |
| B504 5275 | G4 Connecting Harness - 120V     | 5 - 8              |
| B504 5276 | G4 Connecting Harness - 230V TWN | 5 - 8              |
| G025 1211 | Speaker - GS                     | 3 - 9              |
| G570 1970 | Keytop - Right                   | 3 - 12             |
| G570 2065 | Keytop SW - Fax (Letter)         | 3 - 10             |
| G570 2069 | Keytop Cover - Right             | 3 - 11             |
| G570 2075 | Keytop SW - Fax (Symbol)         | 3 - 10             |
| H306 7103 | IC - HICRW2                      | 9 - 3              |
| H306 7111 | Trans - LT9860                   | 15 - 1             |
| H306 7121 | Transformer- 98-60               | 17 - 1             |
| H309 5200 | Moduler Cord ISDN Ass'y          | 5 - 7              |
| H310 6185 | SG3-D Board                      | 5 - 4              |
| H502 7111 | Transistor- 2SC4505Q             | 15 - 2             |
| H511 5007 | Stamp                            | 3 - 17             |
| H523 5350 | Telephone Cable                  | 5 - 1              |
| H523 5350 | Telephone Cable                  | 3 - 13             |
| H545 7108 | HIC - 220/240V                   | 17 - 2             |

| Part No.  | Description       | Page and Index No. |
|-----------|-------------------|--------------------|
| H545 7108 | HIC - 220/240V    | 21 - 1             |
| H547 6175 | SIG4 Board - 230V | 5 - 9              |
| H547 6185 | SIG4 Board - 120V | 5 - 9              |

| Part No.   | Description                 | Page and Index No. |
|------------|-----------------------------|--------------------|
| 0451 3006B | Tapping Screw - M3x6        | 3 -101             |
| 0451 3006B | Tapping Screw - M3x6        | 5 -102             |
| 0453 3006B | Tapping Screw - M3x6        | 3 -103             |
| 1102 4204  | CT Header - 5P              | 17 -101            |
| 1102 4204  | CT Header - 5P              | 9 -101             |
| 1102 4212  | CT Header - 15P             | 17 -102            |
| 1102 4212  | CT Header - 15P             | 15 -101            |
| 1102 4212  | CT Header - 15P             | 9 -102             |
| 1102 4464  | CT Header(h) - 6P           | 9 -103             |
| 1102 4619  | Connector - 2P              | 9 -104             |
| 1102 5007  | CT Header - 14P             | 19 -101            |
| 1102 5007  | CT Header - 14P             | 21 -101            |
| 1102 5943  | Connector - 2P              | 21 -102            |
| 1102 5944  | Connector - 3P              | 21 -103            |
| 1102 6415  | Modular Cord - 6-6P         | 21 -104            |
| 1102 6415  | Modular Cord - 6-6P         | 19 -102            |
| 1102 6415  | Modular Cord - 6-6P         | 17 -103            |
| 1102 6415  | Modular Cord - 6-6P         | 15 -102            |
| 1102 7389  | Connector - FH12-50S-0.5SV  | 9 -105             |
| 1102 7455  | Connector - FX6-60S-0.8SV2  | 9 -106             |
| 1102 7778  | Connector - TX25-80P-12ST-  | 9 -107             |
| 1102 7907  | Connector - FPC             | 9 -108             |
| 1102 8089  | Connector - 53493-0801      | 9 -109             |
| 1102 8189  | DIMM Connector - 54534-1440 | 9 -110             |
| 1104 0683  | Socket - IMSA-9206H-GF      | 21 -105            |
| 1105 0441  | Spacer - 8mm                | 7 -101             |
| 1105 0441  | Spacer - 8mm                | 3 -102             |
| 1105 0487  | Harness Clamp               | 5 -103             |
| 1105 0487  | Harness Clamp               | 3 -104             |
| 1107 0947  | Fuse - 230.500              | 15 -103            |
| 1204 2373  | Key Board Switch - SKQDPA   | 9 -111             |
| 1206 0084  | Lithium Cell-VL2330/1HF     | 9 -112             |
| 1208 1410  | Relay - EC2-224ND           | 15 -104            |
| 1208 1410  | Relay - EC2-224ND           | 17 -104            |
| 1208 1419  | Relay -ALD124               | 17 -105            |

| Part No.  | Description            | Page and Index No. |
|-----------|------------------------|--------------------|
| 1208 1438 | Relay - EC2 5ND        | 19 -103            |
| 1208 1438 | Relay - EC2 5ND        | 21 -106            |
| 1400 0358 | Transistor - 2SA950-0  | 17 -106            |
| 1400 0358 | Transistor - 2SA950-0  | 21 -107            |
| 1400 0398 | Transistor - 2SC2412K  | 9 -113             |
| 1400 0576 | Transistor - 2SC3621   | 21 -108            |
| 1400 0576 | Transistor - 2SC3621   | 17 -107            |
| 1400 0577 | Transistor - 2SA1320   | 17 -108            |
| 1400 0637 | Transistor - DTC144EUA | 9 -114             |
| 1400 0769 | Transistor - 2SA1576A  | 9 -115             |
| 1400 0822 | Transistor - 2SA1900   | 9 -116             |
| 1400 0826 | Transistor - 2SA1776   | 19 -104            |
| 1400 0826 | Transistor - 2SA1776   | 21 -109            |
| 1400 0826 | Transistor - 2SA1776   | 15 -105            |
| 1400 0844 | Transistor - FMG8A     | 15 -106            |
| 1400 0844 | Transistor - FMG8A     | 17 -109            |
| 1400 0885 | Transistor - 2SC4505Q  | 19 -105            |
| 1401 0821 | Diode - 1SS133         | 19 -106            |
| 1401 0821 | Diode - 1SS133         | 17 -110            |
| 1401 0821 | Diode - 1SS133         | 15 -107            |
| 1401 0821 | Diode - 1SS133         | 21 -110            |
| 1401 1116 | Transistor - 2SC5053   | 9 -117             |
| 1402 1058 | Diode Array - DA114    | 9 -118             |
| 1402 1223 | Diode - MTZJ2.0A       | 17 -111            |
| 1402 1224 | Diode - MTZJ5.1A       | 15 -108            |
| 1402 1224 | Diode - MTZJ5.1A       | 17 -112            |
| 1402 1335 | Bridge - S1WB(A)60     | 21 -111            |
| 1402 1335 | Bridge - S1WB(A)60     | 17 -113            |
| 1402 1336 | Diode - 1SS355         | 9 -119             |
| 1402 1343 | Diode - RB106L-40      | 9 -120             |
| 1402 1345 | Diode - UDZ3.6B        | 9 -121             |
| 1402 1437 | Diode - RB500V-40      | 9 -122             |
| 1402 1607 | Diode - S1NB60         | 19 -107            |
| 1402 1607 | Diode - S1NB60         | 21 -112            |
| 1402 1607 | Diode - S1NB60         | 15 -109            |

| Part No.  | Description                   | Page and Index No. |
|-----------|-------------------------------|--------------------|
| 1403 0598 | Photo Coupler - PS2501-2      | 19 -108            |
| 1403 0598 | Photo Coupler - PS2501-2      | 15 -110            |
| 1403 0620 | Photo Coupler                 | 19 -109            |
| 1403 0620 | Photo Coupler                 | 15 -111            |
| 1403 0791 | Photocoupler - PS2561-1-V     | 17 -114            |
| 1403 0791 | Photocoupler - PS2561-1-V     | 21 -113            |
| 1403 0812 | Photocoupler - PS2532-1-V     | 19 -110            |
| 1403 0812 | Photocoupler - PS2532-1-V     | 17 -115            |
| 1403 0812 | Photocoupler - PS2532-1-V     | 15 -112            |
| 1403 0812 | Photocoupler - PS2532-1-V     | 21 -114            |
| 1403 0829 | Diode - SEC1201C              | 9 -123             |
| 1403 0945 | LED SEC1401C                  | 9 -124             |
| 1403 0950 | Photocoupler - PS2532-2-V     | 21 -115            |
| 1403 0950 | Photocoupler - PS2532-2-V     | 17 -116            |
| 1404 0129 | Varistor - VR - 63B           | 19 -111            |
| 1404 0129 | Varistor - VR - 63B           | 15 -113            |
| 1404 0276 | Varistor - TNR9G331K          | 19 -112            |
| 1404 0283 | Varistor - TNR9G431K          | 21 -116            |
| 1404 0283 | Varistor - TNR9G431K          | 17 -117            |
| 1404 0283 | Varistor - TNR9G431K          | 19 -113            |
| 1404 0341 | Varistor - TNR9G101K          | 15 -114            |
| 1404 0342 | Varistor - TNR9G121K          | 17 -118            |
| 1404 0937 | Varistor - DSSV-401M-YD       | 15 -115            |
| 1404 0983 | Arrestor - RA-102MS-V7-F(5)   | 21 -117            |
| 1404 0983 | Arrestor- RA-102MS-V7-F(5)    | 17 -119            |
| 1404 0989 | Varistor - TNR7V121K          | 21 -118            |
| 1404 0989 | Varistor - TNR7V121K          | 19 -114            |
| 1405 0180 | Rectifier - OR5G4B42          | 17 -120            |
| 1407 1878 | IC - TC4053BF                 | 9 -125             |
| 1407 4649 | IC - TC7S32FU                 | 9 -126             |
| 1407 5197 | IC - TC7SZ126FU               | 9 -127             |
| 1408 0876 | Switching Regulator - M5291FP | 9 -128             |
| 1408 0942 | IC - BA4558F                  | 9 -129             |
| 1408 1105 | IC - RH5VL28C                 | 9 -130             |
| 1408 1416 | IC - RH5RI331B                | 9 -131             |

| Part No.  | Description                                 | Page and Index No. |
|-----------|---|--------------------|
| 1408 1449 | IC - M62220FP                               | 9 -132             |
| 1408 1477 | IC - R288F-29                               | 9 -133             |
| 1503 0758 | Oscillator - MC-306 32.768MHz               | 9 -134             |
| 1503 0906 | Crystal Oscillator - 28.224MHz              | 9 -135             |
| 1600 1153 | Resistor - 2W 120 $\Omega$                  | 21 -119            |
| 1600 1294 | Resistor - 47 $\Omega$                      | 21 -120            |
| 1600 1638 | Resistor - 47 $\Omega$ $\pm$ 5% 1W          | 17 -121            |
| 1601 5276 | Resistor - 18 $\Omega$                      | 15 -116            |
| 1601 5395 | Resistor - 18 $\Omega$ $\pm$ 5% 1/2W        | 19 -115            |
| 1601 5420 | Resistor - 120 $\Omega$ $\pm$ 5% 2W         | 17 -122            |
| 1601 7752 | Resistor Array - 10K $\Omega$ $\pm$ 5%      | 9 -136             |
| 1601 7867 | Resistor - 33 $\Omega$ $\pm$ 5% 1/16W       | 9 -137             |
| 1601 7877 | Resistor Array 4.7k $\Omega$ $\pm$ 5% 1/32W | 9 -138             |
| 1601 7899 | Resistor Array - 56 $\Omega$ $\pm$ 5% 1/16W | 9 -139             |
| 1604 2527 | Capacitor - 100 $\mu$ F $\pm$ 20% 25V       | 9 -140             |
| 1604 4301 | Capacitor - 220 $\mu$ F $\pm$ 20%           | 17 -123            |
| 1604 4335 | Capacitor - 220 $\mu$ F $\pm$ 20% 10V       | 9 -141             |
| 1604 4428 | Capacitor 100 $\mu$ F 20% 16V               | 9 -142             |
| 1604 4518 | Capacitor - 3.3 $\mu$ F $\pm$ 20% 25V       | 9 -143             |
| 1604 4550 | Capacitor - 220 $\mu$ F $\pm$ 20% 25V       | 9 -144             |
| 1604 5002 | Capacitor - 220 $\mu$ F $\pm$ 20% 6.3V      | 9 -145             |
| 1605 1055 | Capacitor - 0.022 $\mu$ F $\pm$ 10% 25V     | 9 -146             |
| 1605 1122 | Capacitor 1 $\mu$ F +80-20% 10V             | 9 -147             |
| 1605 1133 | Capacitor 510pF $\pm$ 5% 50V                | 9 -148             |
| 1605 1143 | Capacitor - 0.15 $\mu$ F $\pm$ 10% 25V      | 9 -149             |
| 1605 1159 | Capacitor - 0.068 $\mu$ F $\pm$ 10% 16V     | 9 -150             |
| 1605 1167 | Capacitor - 0.22 $\mu$ F $\pm$ 10% 10V      | 9 -151             |
| 1605 1225 | Capacitor - 0.1 $\mu$ F $\pm$ 10% 50V       | 9 -152             |
| 1606 1761 | Capacitor - 1.0 $\mu$ F 250V                | 17 -124            |
| 1606 1761 | Capacitor - 1.0 $\mu$ F 250V                | 21 -121            |
| 1606 1860 | Capacitor - 0.47 $\mu$ F 250V               | 17 -125            |
| 1606 1860 | Capacitor - 0.47 $\mu$ F 250V               | 21 -122            |
| 1606 1860 | Capacitor - 0.47 $\mu$ F 250V               | 15 -117            |
| 1606 1877 | Capacitor - 0.027 $\mu$ F $\pm$ 10%         | 17 -126            |
| 1606 2026 | Capacitor - 0.1 $\mu$ F $\pm$ 10%           | 17 -127            |

| Part No.  | Description                             | Page and Index No. |
|-----------|---|--------------------|
| 1606 2160 | Capacitor - 0.47 $\mu$ F $\pm$ 10% 250V | 19 -116            |
| 1607 0069 | Fuse - BL02RN2-R62-PB                   | 17 -128            |
| 1607 0069 | Fuse - BL02RN2-R62-PB                   | 15 -118            |
| 1607 0069 | Fuse - BL02RN2-R62-PB                   | 19 -117            |
| 1607 0069 | Fuse - BL02RN2-R62-PB                   | 21 -123            |
| 1607 0396 | Choke - SBT-0180W                       | 15 -119            |
| 1607 0396 | Choke - SBT-0180W                       | 19 -118            |
| 1607 0536 | Fuse Core - EXCELD35C                   | 17 -129            |
| 1607 0576 | Sleeve Core - SFC-8                     | 5 -101             |
| 1607 0576 | Sleeve Core - SFC-8 (EU & ASIA)         | 3 -105             |
| 1607 0760 | Coil TLF9UB302W                         | 21 -124            |
| 1607 0760 | Coil TLF9UB302W                         | 17 -130            |
| 1607 0773 | Coil - LH10NB101K - 100UH               | 9 -153             |
| 1607 0861 | Filter - BK2125HS101                    | 9 -154             |
| 1607 0897 | Choke Coil - ELC08D271                  | 9 -155             |
| 1607 0917 | Inductor - LK2125 8R2K                  | 9 -156             |
| 1607 1042 | Filter - ACB1608M-600                   | 9 -157             |
| 1607 1083 | Coil ELF1010SKI-332J                    | 17 -131            |
| 1607 1246 | Transformer P3356                       | 21 -125            |
| 1607 1396 | Transformer - FLT319                    | 19 -119            |
| 1610 1347 | Resistor - 0.22 $\Omega$ $\pm$ 5% 1/4W  | 9 -158             |
| 1610 1377 | Resistor - 0.1 $\Omega$ $\pm$ 2% 1/2W   | 9 -159             |
| 1611 4120 | Resistor - 12 $\Omega$ 1/4W             | 17 -132            |
| 1611 4153 | Resistor - 15K $\Omega$ 1/4T $\pm$ 5%   | 17 -133            |
| 1611 4473 | Resistor - 47K $\Omega$ 1/4T $\pm$ 5%   | 15 -120            |
| 1611 8120 | Resistor - 12 $\Omega$ $\pm$ 5% 1/4W    | 21 -126            |
| 1611 8473 | Resistor - 47k $\Omega$ $\pm$ 5% 1/4W   | 19 -120            |
| 1611 9182 | Resistor - 1.8k $\Omega$ $\pm$ 5% 1/2W  | 15 -121            |
| 1611 9303 | Resistor 30k $\Omega$ $\pm$ 5% 1/2W     | 17 -134            |
| 1611 9393 | Resistor - 39K $\Omega$ $\pm$ 5% 1/4W   | 21 -127            |
| 1630 1681 | Resistor - 680 $\Omega$ $\pm$ 5%        | 9 -160             |
| 1630 3100 | Resistor - 10 $\Omega$ $\pm$ 5% 1/10W   | 9 -161             |
| 1630 3100 | Resistor - 10 $\Omega$ $\pm$ 5% 1/10W   | 17 -135            |
| 1630 3103 | Resistor - 10K $\Omega$ 1/10W $\pm$ 5%  | 17 -136            |
| 1630 3104 | Resistor - 100K $\Omega$ 1/10W $\pm$ 5% | 15 -122            |

| Part No.  | Description                                 | Page and Index No. |
|-----------|---|--------------------|
| 1630 3151 | Resistor - 150 $\Omega$ $\pm$ 5% 1/10W      | 15 -123            |
| 1630 3180 | Resistor - 18 $\Omega$ $\pm$ 5% 1/10W       | 15 -124            |
| 1630 3302 | Resistor - 3k $\Omega$ - 1/10W              | 17 -137            |
| 1630 3331 | Resistor - 330 $\Omega$ $\pm$ 5% 1/10W      | 9 -162             |
| 1630 3392 | Resistor - 3.9k $\Omega$ - 1/10W            | 15 -125            |
| 1630 3471 | Resistor - 470 $\Omega$ - 1/10W             | 17 -138            |
| 1630 3472 | Resistor - 4.7K $\Omega$ 1/10W $\pm$ 5%     | 17 -139            |
| 1630 4100 | Resistor - 10 $\Omega$ $\pm$ 5% 1/16W       | 9 -163             |
| 1630 4101 | Resistor - 100 $\Omega$ $\pm$ 5% 1/16W      | 9 -164             |
| 1630 4102 | Resistor - 1.0K $\Omega$ $\pm$ 5% 1/16W     | 9 -165             |
| 1630 4103 | Resistor - 10K $\Omega$ $\pm$ 5% 1/16W      | 9 -166             |
| 1630 4104 | Resistor - 100 $\Omega$ $\pm$ 5% 1/16W      | 9 -167             |
| 1630 4105 | Resistor - 1.0M $\Omega$ $\pm$ 5% 1/16W     | 9 -168             |
| 1630 4123 | Resistor - 12k $\Omega$ - $\pm$ 5% - 1/16W  | 9 -169             |
| 1630 4184 | Resistor - 180k $\Omega$ $\pm$ 5% 1/16W     | 9 -170             |
| 1630 4202 | Resistor - 2K $\Omega$ $\pm$ 5%-            | 9 -171             |
| 1630 4204 | Resistor - 200K $\Omega$ $\pm$ 5% 1/16W     | 9 -172             |
| 1630 4223 | Resistor - 22K $\Omega$ $\pm$ 5% 1/16W      | 9 -173             |
| 1630 4240 | Resistor - 24 $\Omega$ $\pm$ 5% 1/16W       | 9 -174             |
| 1630 4330 | Resistor - 33 $\Omega$ $\pm$ 5% 1/8W        | 9 -175             |
| 1630 4332 | Resistor - 3.3K $\Omega$ $\pm$ 5% 1/16W     | 9 -176             |
| 1630 4333 | Resistor - 33K $\Omega$ $\pm$ 5% 1/16W      | 9 -177             |
| 1630 4391 | Resistor - 390 $\Omega$ $\pm$ 5.00% 1/16W   | 9 -178             |
| 1630 4472 | Resistor - 4.7K $\Omega$ $\pm$ 5% 1/16W     | 9 -179             |
| 1630 4473 | Resistor - 47k $\Omega$ - $\pm$ 5% - 1/16W  | 9 -180             |
| 1630 4560 | Resistor - 56 $\Omega$ $\pm$ 5% 1/16W       | 9 -181             |
| 1630 4562 | Resistor - 5.6k $\Omega$ - $\pm$ 5% - 1/16W | 9 -182             |
| 1630 4823 | Resistor - 82K $\Omega$ $\pm$ 5% 1/16W      | 9 -183             |
| 1633 0000 | Resistor - 0 $\Omega$ 1/10W                 | 21 -128            |
| 1633 1602 | Resistor - 16K $\Omega$ $\pm$ 1% 1/4W       | 17 -140            |
| 1633 2002 | Resistor - 20K $\Omega$ $\pm$ 1% 1/10W      | 15 -126            |
| 1633 4702 | Resistor - 47K $\Omega$ $\pm$ 1/10W         | 15 -127            |
| 1633 7501 | Resistor - 7.5K $\Omega$ $\pm$ 5% 1/10W     | 17 -141            |
| 1634 0000 | Resistor - 0 $\Omega$ 1/16W                 | 21 -129            |
| 1634 0000 | Resistor - 0 $\Omega$ 1/16W                 | 9 -184             |

| Part No.  | Description                                  | Page and Index No. |
|-----------|--|--------------------|
| 1634 1000 | Resistor - 100 $\Omega$ $\pm$ 1% 1/16W       | 9 -185             |
| 1634 1002 | Resistor - 10 $\Omega$ $\pm$ 5% 1/16W        | 9 -186             |
| 1634 1100 | Resistor - 110 $\Omega$ $\pm$ 1% 1/16W       | 9 -187             |
| 1634 1243 | Resistor - 124K $\Omega$ $\pm$ 1% 1/16W      | 9 -188             |
| 1634 2002 | Resistor - 20K $\Omega$ $\pm$ 1% 1/16W       | 9 -189             |
| 1634 2202 | Resistor - 22K $\Omega$ $\pm$ 1% 1/16W       | 9 -190             |
| 1634 2401 | Resistor - 2.4K $\Omega$ $\pm$ 1% 1/16W      | 9 -191             |
| 1634 2490 | Resistor - 249 $\Omega$ $\pm$ 1% 1/16W       | 9 -192             |
| 1634 3900 | Resistor - 390 $\Omega$ $\pm$ 1% 1/16W       | 9 -193             |
| 1634 4022 | Resistor - 40.2K $\Omega$ $\pm$ 1% 1/16W     | 9 -194             |
| 1634 5600 | Resistor - 560 $\Omega$ $\pm$ 1% 1/16W       | 9 -195             |
| 1634 6192 | Resistor - 61.9 $\Omega$ $\pm$ 1% 1/16W      | 9 -196             |
| 1640 5101 | Capacitor - 100 $\mu$ F $\pm$ 20% 50V        | 17 -142            |
| 1640 5221 | Capacitor - 220 $\mu$ F $\pm$ 20% 50V        | 15 -128            |
| 1640 5470 | Capacitor - 47 $\mu$ F $\pm$ 20% 50V         | 21 -130            |
| 1640 5479 | Capacitor - 4.7 $\mu$ F $\pm$ 20% 50V        | 21 -131            |
| 1642 5220 | Capacitor - 22 $\mu$ F $\pm$ 20% 50V         | 19 -121            |
| 1642 5229 | Capacitor 2.2 $\mu$ F $\pm$ 20% 50V          | 19 -122            |
| 1643 5100 | Capacitor - 10 $\mu$ F $\pm$ 20% 50V         | 15 -129            |
| 1643 5100 | Capacitor - 10 $\mu$ F $\pm$ 20% 50V         | 17 -143            |
| 1643 5229 | Capacitor - 2.2 $\mu$ F $\pm$ 20% 50V        | 15 -130            |
| 1643 5479 | Capacitor - 4 $\mu$ F $\pm$ 20% 50V          | 17 -144            |
| 1644 0100 | Capacitor - 10 $\mu$ F $\pm$ 20% 10V         | 9 -197             |
| 1644 0470 | Capacitor - 47 $\mu$ F $\pm$ 20% 10V         | 9 -198             |
| 1644 2100 | Capacitor - 10 $\mu$ F $\pm$ 20% 25V         | 9 -199             |
| 1650 3201 | Resistor - 200 $\Omega$ $\pm$ 5% 1/8W        | 9 -200             |
| 1650 4103 | Resistor - 10K $\Omega$ $\pm$ 5% 1/10W       | 21 -132            |
| 1650 4104 | Resistor - 100K $\Omega$ $\pm$ 5% 1/10W      | 19 -123            |
| 1650 4151 | Resistor - 150 $\Omega$ $\pm$ 5% 1/10W       | 19 -124            |
| 1650 4180 | Chip Resistor - 18 $\Omega$ $\pm$ 5% 1/10W   | 19 -125            |
| 1650 4202 | Resistor - 2K $\Omega$ $\pm$ 5% 1/10W        | 21 -133            |
| 1650 4302 | Resistor - 3K $\Omega$ $\pm$ 5% 1/10W        | 21 -134            |
| 1650 4392 | Chip Resistor - 3.9k $\Omega$ $\pm$ 5% 1/10W | 19 -126            |
| 1653 1602 | Resistor - 16K $\Omega$ $\pm$ 1% 1/8W        | 21 -135            |
| 1654 2002 | Resistor - 20K $\Omega$ $\pm$ 1% 1/10W       | 19 -127            |

| Part No.  | Description                       | Page and Index No. |
|-----------|-----------------------------------|--------------------|
| 1654 4702 | Chip Resistor - 47kΩ ±1% 1/10W    | 19 -128            |
| 1654 7501 | Resistor - 7.5KΩ ±1% 1/10W - 1608 | 21 -136            |
| 1660 0100 | Capacitor - 10PF ±0.5pF 50V       | 9 -201             |
| 1660 2101 | Capacitor - 100pF - ±10% - 50V    | 9 -202             |
| 1660 2120 | Capacitor - 12 pF ±5% 50V         | 9 -203             |
| 1660 2150 | Capacitor - 15pF ±5% 50V          | 9 -204             |
| 1660 2181 | Capacitor - 180pF ±5% 50V         | 9 -205             |
| 1660 2470 | Capacitor - 47pF ±5% 50V          | 9 -206             |
| 1660 2471 | Capacitor - 470pF - ±5% - 50V     | 9 -207             |
| 1660 3821 | Capacitor - 820pF ±5% 50V         | 9 -208             |
| 1660 4102 | Capacitor - 1000pF ±10% 50V       | 21 -137            |
| 1660 4102 | Capacitor - 1000pF ±10% 50V       | 9 -209             |
| 1660 4332 | Capacitor - 3300pF - ±10% - 50V   | 9 -210             |
| 1660 5102 | Capacitor - 1000pF ±10% 50V       | 17 -145            |
| 1660 5222 | Capacitor - 2200pF ±10% 50V       | 17 -146            |
| 1660 6103 | Capacitor - 10000pF - +80%-20%50V | 9 -211             |
| 1660 7103 | Capacitor - 10000pF 50V           | 17 -147            |
| 1660 8104 | Capacitor - 0.1μF +80-20% 25V     | 9 -212             |
| 1660 8104 | Capacitor - 0.1μF +80-20% 25V     | 21 -138            |
| 1907 0016 | IC - SDRAM-64M-1MX16X4 100MHZ G5  | 9 -213             |

| Part No.  | Description                  | Page and Index No. |
|-----------|------------------------------|--------------------|
| 5488 6122 | NCU Board - 115V             | 3 - 2              |
| 5488 6122 | NCU Board - 115V             | 15 - *             |
| 5488 6222 | NCU-FD-U2 Board - 120V       | 5 - 2              |
| 5488 6222 | NCU-FD-U2 Board - 120V       | 19 - *             |
| 5488 6292 | NCU-FD-EA2T Board - 230V TWN | 5 - 2              |
| 5488 6292 | NCU-FD-EA2T Board - 230V TWN | 21 - *             |